

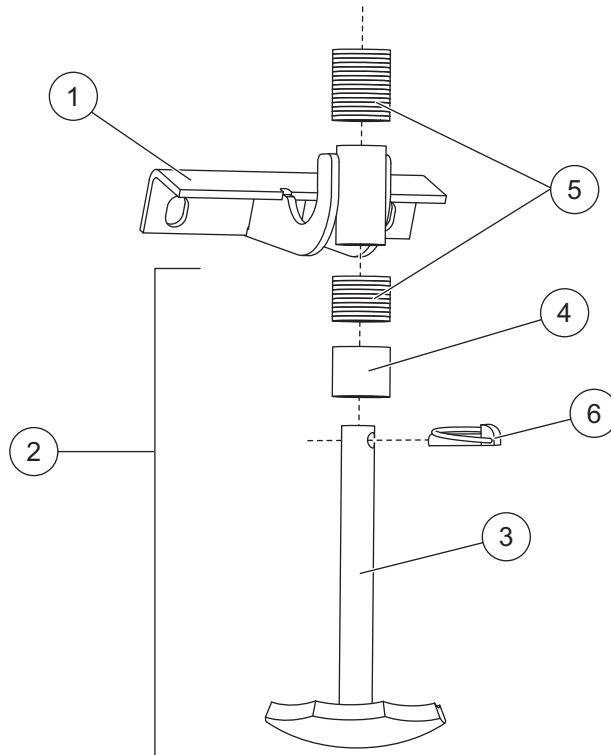


dd A DIVISION OF DOUGLAS DYNAMICS, L.L.C.

Western Products
 PO Box 245038
 Milwaukee, WI 53224-9538
 www.westernplows.com

69570
SHOE ASSEMBLY KIT
UltraMount® HTS™ Blade
Parts List & Installation Instructions

PARTS LIST



69570 Shoe Assembly Kit (Pair)

Item	Part	Qty	Description	Item	Part	Qty	Description
1	69455	2	Shoe Bracket	4	60045	2	Spacer
2	49067	2	Disc Shoe Assembly	5	91192	52	Round Flat Washer – Special
3	60028	2	Disc Shoe	6	93010	2	7/16 x 1-3/4 Linch Pin

⚠ WARNING

Do not exceed GVWR or GAWR, including blade and ballast. The rating label is found on the driver-side vehicle door cornerpost.

⚠ CAUTION

Read this document before installing the Shoe Assembly Kit.

⚠ CAUTION

Use standard methods and practices when attaching snowplow and installing accessories including proper personal protective safety equipment.

⚠ CAUTION

See your WESTERN® outlet/Web site for specific vehicle application recommendations before installation. Shoe Assembly Kit weight information may be found in the Selection List.

69570 SHOE ASSEMBLY KIT

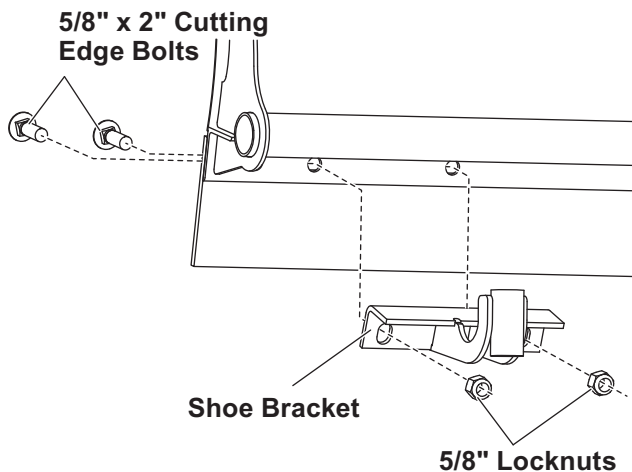
INSTALLATION INSTRUCTIONS

⚠ WARNING

Raise and securely support blade with blocks or tip blade face down for installation

NOTE: Please give these instructions to the customer.

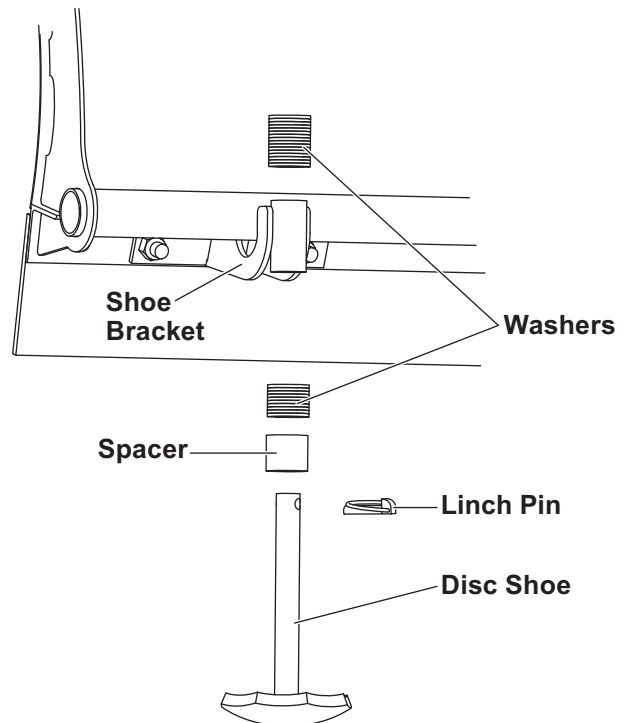
1. Park the vehicle on a smooth, level, hard surface, such as concrete. Disconnect the snowplow from the vehicle, or turn the vehicle ignition to the "OFF" position and remove the key.
2. Position the shoe bracket to the blade base angle as shown below. Align the holes in the shoe bracket with the cutting edge holes in the base angle.
3. Loosely assemble each shoe bracket with two 5/8-11 x 2 cutting edge bolts and 5/8 locknuts through the cutting edge, base angle and shoe bracket. Torque fasteners to 75 ft-lb.



DISC SHOE ALIGNMENT

Changing the number of washers above or below the shoe bracket adjusts the cutting edge height and pressure.

Adjust the disc shoes by placing a spacer and 10 washers on the bottom of the shoe bracket and 16 washers on the top. Final adjustment is made with the snowplow attached to the vehicle. (See below).



Copyright © 2009 Douglas Dynamics, L.L.C. All rights reserved. This material may not be reproduced or copied, in whole or in part, in any printed, mechanical, electronic, film or other distribution and storage media, without the written consent of Western Products. Authorization to photocopy items for internal or personal use by Western Products outlets or snowplow owner is granted.

Western Products reserves the right under its product improvement policy to change construction or design details and furnish equipment when so altered without reference to illustrations or specifications used. Western Products or the vehicle manufacturer may require or recommend optional equipment for snow removal. Do not exceed vehicle ratings with a snowplow. Western Products offers a limited warranty for all snowplows and accessories. See separately printed page for this important information. The following are registered (®) or unregistered (™) trademarks of Douglas Dynamics, L.L.C.: HTS™, UltraMount®, WESTERN®.

Printed in U.S.A.