

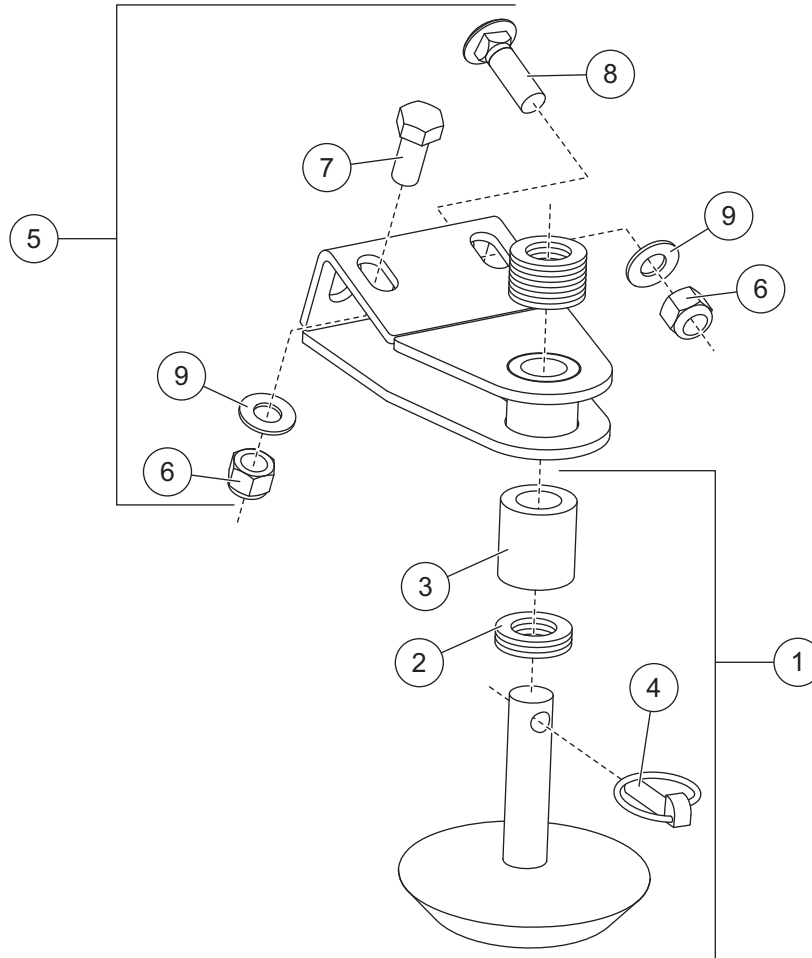


Western Products
 PO Box 245038
 Milwaukee, WI 53224-9538
 www.westernplows.com

DD A DIVISION OF DOUGLAS DYNAMICS, L.L.C.

**44277-1 – MVP PLUS™ &
 WIDE-OUT™ Blades
 SHOE ASSEMBLY KIT
 Parts List & Installation Instructions**

PARTS LIST



44277-1 Shoe Assy Kit (Pair)							
Item	Part	Qty	Description	Item	Part	Qty	Description
1	53595	2	HD Disc Shoe Kit	5	44728	2	Shoe Bracket (Includes Mounting Hardware)
2	91192	32	Flat Washer Special	ns		1	Bolt Bag
3	60045	2	Spacer				
4	93010K	1	7/16 x 1-3/4 Linchpin – 2 Pack				
Bolt Bag							
6	91337	4	5/8-11 Hex Locknut Topping GB	8	63986	2	5/8-11 x 2-1/2 Carriage Bolt G5
7	90127	2	5/8-11 x 1-1/2 Hex Cap Screw G5	9	63927	4	5/8 Flat Washer Type A Narrow G = Grade
ns = not shown							

44277-1 SHOE ASSEMBLY KIT

INSTALLATION INSTRUCTIONS

⚠ WARNING

Do not exceed GVWR or GAWR, including blade and ballast. The rating label is found on the driver-side vehicle door cornerpost.

⚠ WARNING

Blade can drop unexpectedly. Place blade on jack stands or tip blade face down. Failure to do so could result in serious personal injury.

⚠ CAUTION

Read this document before installing the shoe kit.

⚠ CAUTION

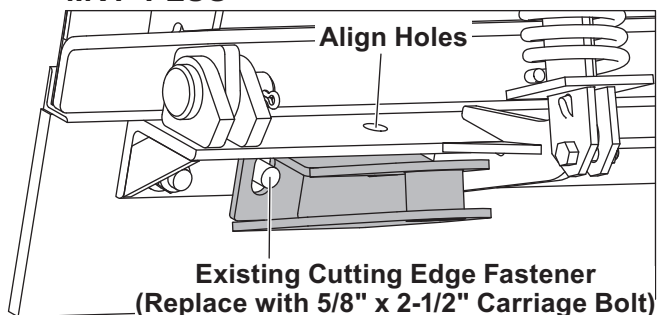
Use standard methods and practices when attaching snowplow and installing accessories including proper personal protective safety equipment.

⚠ CAUTION

See your WESTERN® outlet/Web site for specific vehicle application recommendations before installation. Shoe kit weight information may be found in the Selection List.

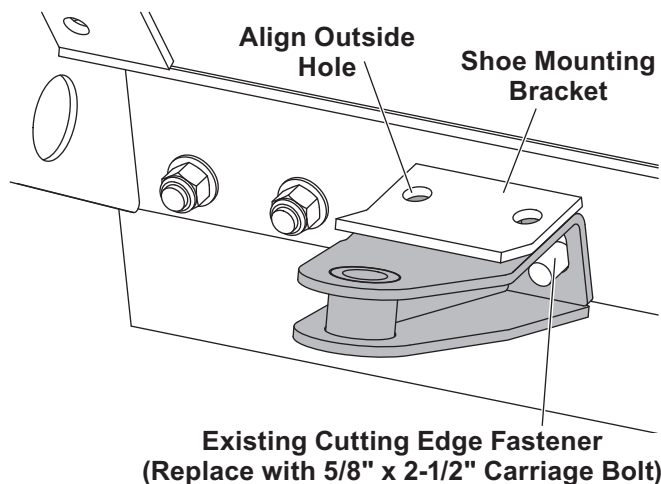
1. **MVP PLUS™**: Determine which holes will be used to install the shoe bracket. One top slot in the bracket should line up with the corresponding hole in the top of the base angle. One front slot in the bracket should line up with an existing cutting edge fastener on the opposite side of the bracket.

MVP PLUS



- WIDE-OUT™**: Determine which holes will be used to install the shoe bracket. The inside front slot should line up with an existing cutting fastener. The top slot to the outside of the bracket should line up with the outside hole in the shoe mounting bracket.

WIDE-OUT

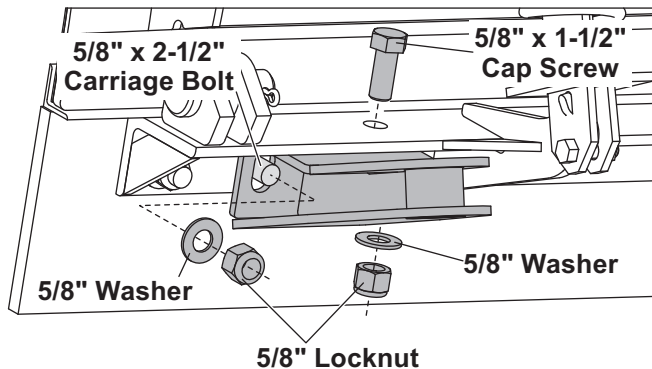


2. Replace the existing locknut and cutting edge fastener with a 5/8" x 2-1/2" carriage bolt, then position the shoe bracket against the rear of the base angle.

44277-1 SHOE ASSEMBLY KIT

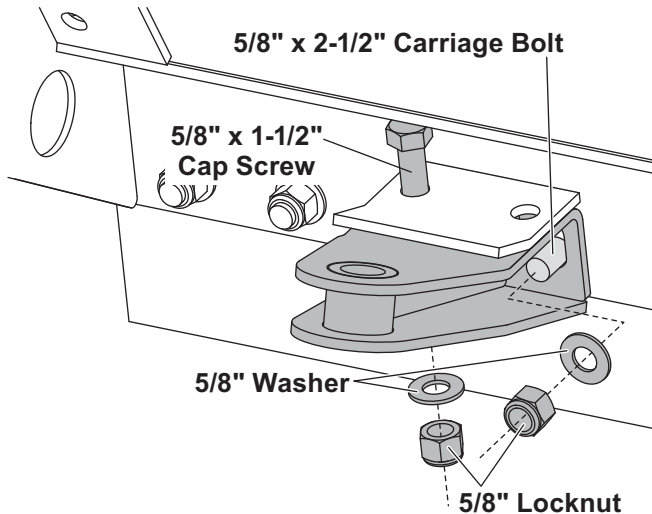
- Attach a 5/8" flat washer and locknut to the carriage bolt, and hand tighten.
- MVP PLUS™:** Insert a 5/8" x 1-1/2" cap screw through the top of the base angle and shoe bracket. Attach a 5/8" washer and locknut to the cap screw and hand tighten.

MVP PLUS



WIDE-OUT™: Insert a 5/8" x 1-1/2" cap screw through the outside top hole of the shoe mounting bracket and shoe bracket. Attach a 5/8" washer and locknut to the cap screw and hand tighten.

WIDE-OUT

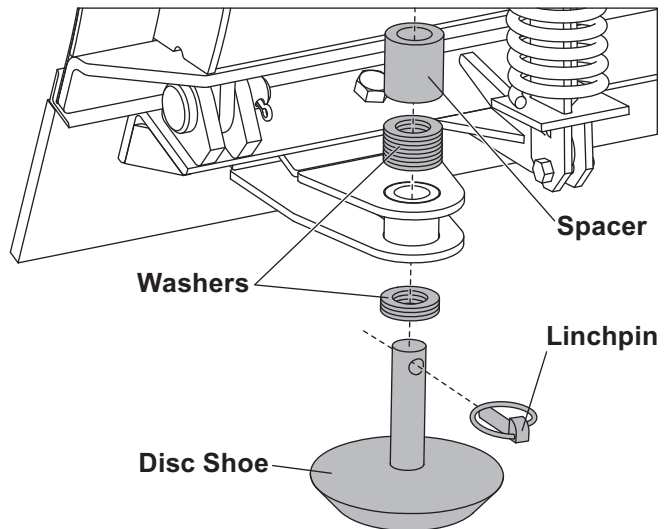


- Torque fasteners to 150 ft-lb.

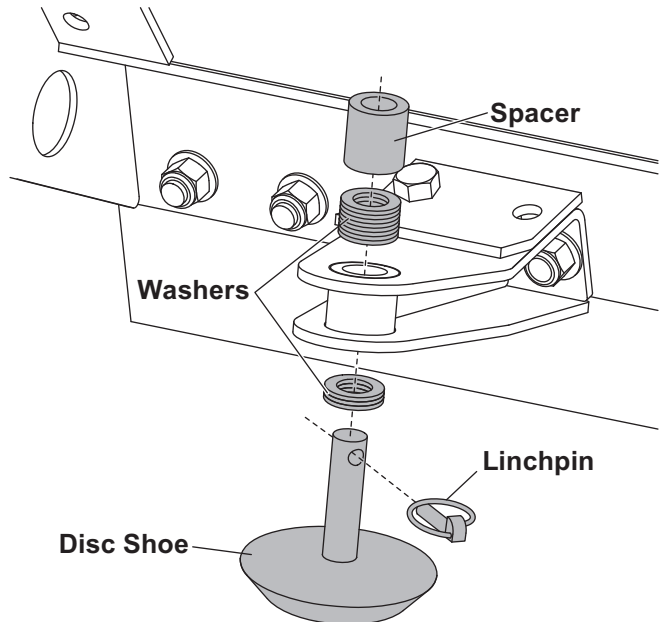
- MVP PLUS and WIDE-OUT:** Place five washers onto the shoe, and insert the shoe into the bracket. Place remaining washers and spacer on the shoe, then install the linchpin to secure the shoe to the bracket. The spacer can be installed above or below the bracket.

Final shoe height adjustments should be made according to the procedure in the Owner's Manual.

MVP PLUS



WIDE-OUT



44277-1 SHOE ASSEMBLY KIT

Copyright © 2009 Douglas Dynamics, L.L.C. All rights reserved. This material may not be reproduced or copied, in whole or in part, in any printed, mechanical, electronic, film or other distribution and storage media, without the written consent of Western Products. Authorization to photocopy items for internal or personal use by Western Products outlets or snowplow owner is granted.

Western Products reserves the right under its product improvement policy to change construction or design details and furnish equipment when so altered without reference to illustrations or specifications used. Western Products or the vehicle manufacturer may require or recommend optional equipment for snow removal. Do not exceed vehicle ratings with a snowplow. Western Products offers a limited warranty for all snowplows and accessories. See separately printed page for this important information. The following are registered (®) or unregistered (™) trademarks of Douglas Dynamics, L.L.C.: MVP PLUS™, UltraMount®, WESTERN®, WIDE-OUT™.

Printed in U.S.A.
